

22 kW EV AC Charger

400 Vac / 32 A

Key Features :

- Stylish ergonomic design
- Easy and User-Handy Charging
- Robust IP65 ingress protection
- Full charging 50 kW EV within 2.5 hour
- Wide Application Range
- IEC 62196 standard compliance

Applications :



Service
Station



Parking



Residential



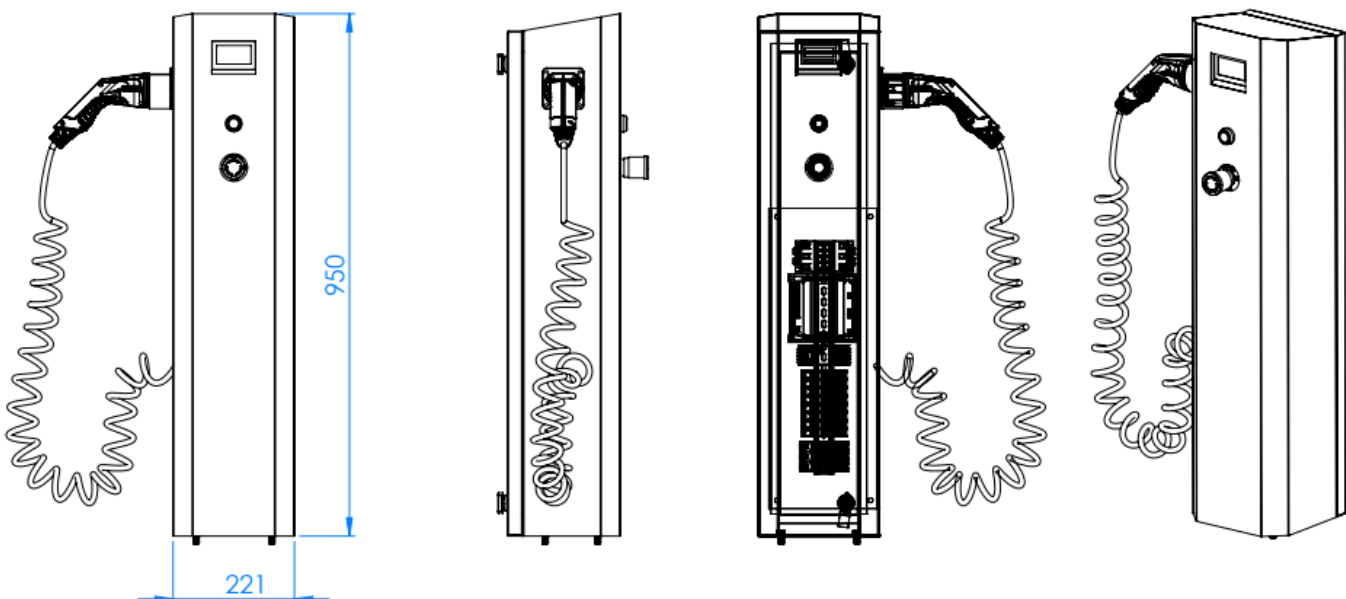
Commercial



Fleet



Model		EVC 22-1	EVC 22-2
Power Input	Power	1 x 22 kW	2 x 22 kW
	Connections & Wiring	L1, L2, L3, N, and PE (Ground), hardwired w/ terminal block	
	Voltage	400 ±10% V AC, 50 Hz	
	Current	1 x 32 A	2 x 32 A
Charging Properties	Mode	3	
	Type	2, Case B or C	
	Number of Contactor	1	2
	Length of Charging Cable	4 m (5m optional)	
Protection	Internal Residual Current Detection	30 mA RCD per IEC 61851-1	
	Electrical Protection	Over Current, Short Circuit, Over Voltage	
User Interface & Control	Status Indicators	Standby (yellow), Charging (flashing green), Fault (red)	
	Buttons/Switches	Charger On/Off, Stop Charging	Charger On/Off, Stop Charging
	User Authentication	RFID (optional)	
Metering	Energy meter	MID Certified (optional)	
Communication	Network interface	Modbus TCP, Modbus RTU	
Environmental	Operating Temperature	-30 °C to +50 °C	
	Humidity	95% relative humidity, non-condensing	
Mechanical	Ingress Protection	IP65	
	Mounting Type	Floor-Mount	Floor-Mount
	Housing Material	Stainless Steel	
	Dimension (W x H x D)	950 x 221 x 206 mm	
	Net Weight	21 kg	30 kg
Regulation	Standards	EN 50470, IEC 61851-1, IEC 62196-2, IEC 61643-11, IEC 60271-1/-2/-3	



INKOEL™ MMC